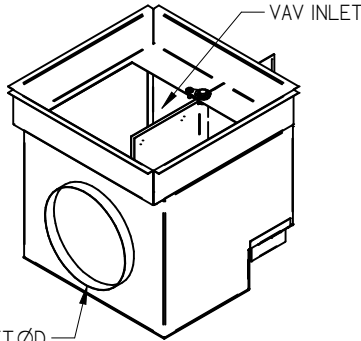


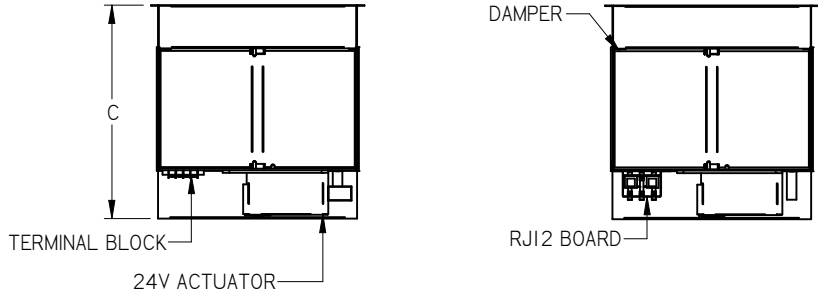
RFM - RETROFIT FLOOR MODULE

HC - HEATING & VAV COOLING

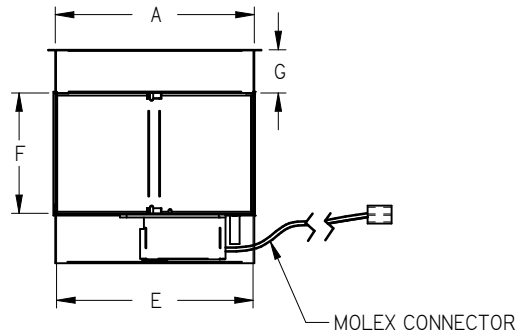
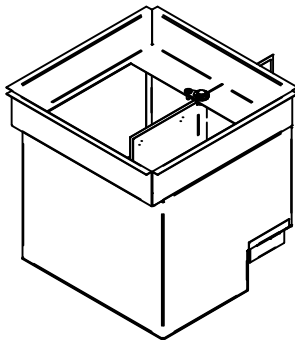


HEATING INLET ØD
(OPTIONAL)

CONNECTOR TYPES



VC- VAV COOLING



PLENUM OVERALL		HEATING INLET (HC ONLY)	PLENUM INLET		TROUGH	ROUGH OPENING
A	C	D	E	F	G	
10 3/4 (264)	11 1/2 (283)	5 3/8 (149)	10 1/4 (260)	6 1/4 (159)	2 1/4 (57)	10 1/2 X 10 1/2 (267 X 267)

STATIC PRESSURE in.w.g (Pa)	AIRFLOW CFM (m³/h) *
0.010 (2.49)	72 (122)
0.030 (7.47)	121 (206)
0.050 (12.44)	154 (262)
0.080 (19.91)	196 (333)
0.100 (24.88)	219 (372)

* PERFORMANCE DATA SHOWN IS TESTED WITH LFG 1000 BORDER TYPE DIFFUSER

NOTES:

- 20 GA STEEL, PRE-PAINTED BLACK FINISH
- NOMINAL VAV COOLING AIRFLOW IS 150 CFM AT 0.05 in.w.g PLENUM PRESSURE
- FITS WITH EXISTING FLOOR GRILLE ON SITE OR 10.25" (260) X 10.25" (260) LFG 1000 BORDER STYLE
- LFG 1000 STYLE GRILLE ORDERED SEPERATELY
- 6" (152) NOMINAL DIAMETER HEATING INLET OPTION AVAILABLE (FOR HC OPTION ONLY)
- CAN BE USED ON FLOOR TILES WITH THICKNESS OF LESS THAN 2.250"

PLENUM STYLE:

- VC - VAV COOLING
- HC - HEATING/RETURN INLET & VAV COOLING

CONNECTOR TYPE:

- TERMINAL BLOCK - COMES WITH 24 VAC ANALOG ACTUATOR
- RJ12 CONNECTOR (USE WITH PCM) - COMES WITH 24 VAC FLOATING POINT ACTUATOR
- MOLEX CONNECTOR

ACTUATOR TYPE (FOR MOLEX CONNECTOR ONLY)

- FLOATING POINT
- ANALOG

ACOUSTIC LINER:

- FF50 - 1/2" FIBER-FREE INSULATION

CFLEX GREEN CONTROL CABLE (FOR RJ12 CONNECTION ONLY):

- 15G - 15FT. STRANDED
- 25G - 25FT. STRANDED
- 35G - 35FT. STRANDED

ALL METRIC DIMENSIONS () ARE SOFT CONVERTED. IMPERIAL DIMENSIONS ARE CONVERTED TO METRIC AND ROUNDED TO THE NEAREST MILLIMETER.

PROJECT:		 RFM RETROFIT FLOOR MODULE
ENGINEER:		
CUSTOMER:		
SUBMITTAL DATE:	SPEC. SYMBOL:	
		PS 274000 2021/12/22